

# Stand Construction Blueprint

## 6' Standard Construction

### Materials & Hardware Required

- (2) 4' x 8' x  $\frac{7}{16}$ " OSB Sheets (Plywood)
- (8) 4  $\frac{1}{2}$ " x  $\frac{3}{8}$ " Carriage Bolts
- (8)  $\frac{3}{8}$ " Wing Nuts
- (4) Butt Hinges w/ removable pins
- (16) Wood Screws with in the package of the Butt Hinges
- # 8 x 1-1/2 Wood Screws to connect  $\frac{7}{16}$  plywood to 2 x 3 frame

### List of 2 x 3 Lumber Lengths Required

#### Total 2 x 3 x 8' - 8 pieces

- (6) 26" take it from (2-2x3 x 8')
- (2) 67" take it from (2-2x3 x 8')
- (2) 67 $\frac{1}{2}$ " take it from (2-2x3 x 8')
- (4) 24" take it from ( above fall off of the 8')
- (2) 89" take it from (2-2 x 3 x 8')

### Tools Required

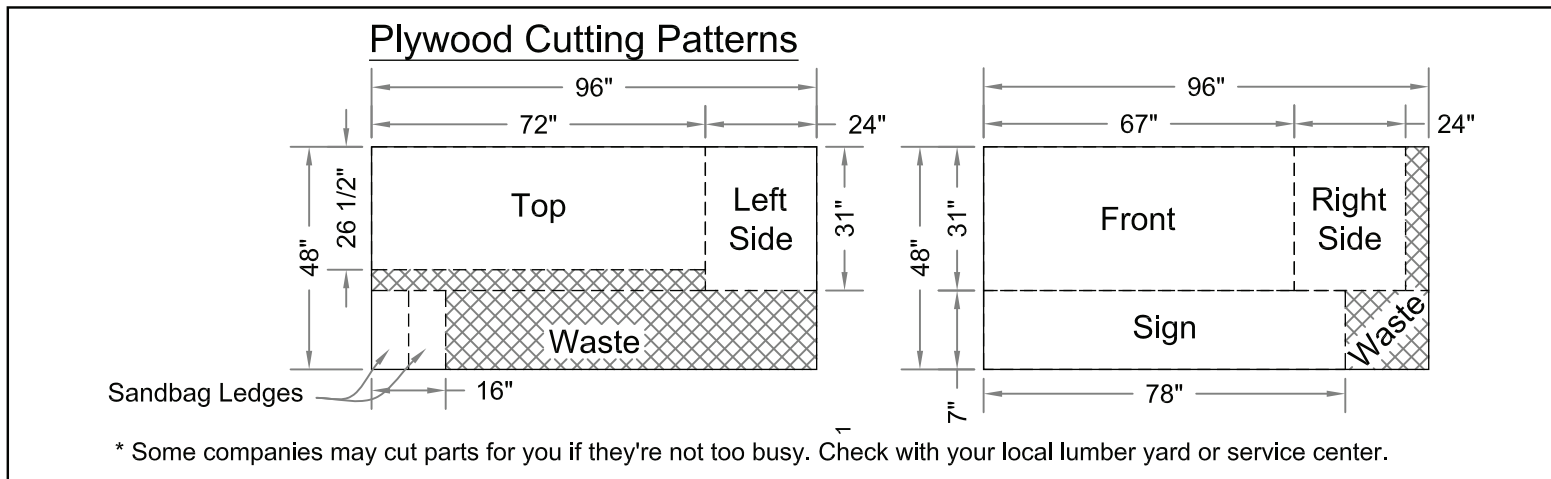
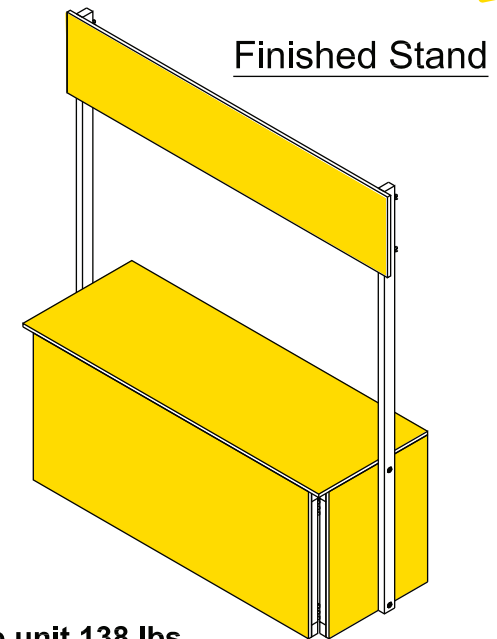
- Circular Saw
- Hammer
- Drill w/  $\frac{9}{16}$ " Drill Bit
- Screwdriver
- Measuring Tape
- Paint Brush
- Paint Roller
- Paint Pan
- Bright Yellow Paint
- 2 to 3 Sand Bags

### Weight of Unit

Two people will be required for assembling and lifting

**Estimated Weight of complete unit 138 lbs**

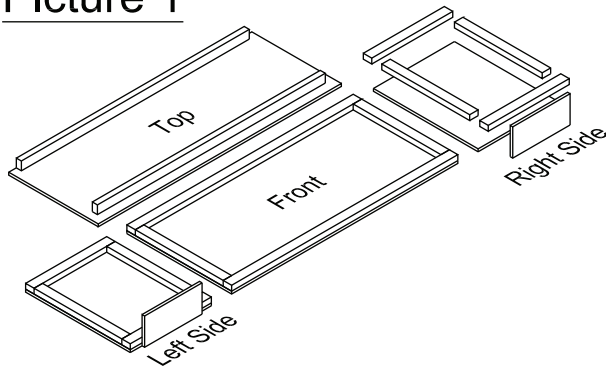
Removing pins to separate the sides from the front frame will help eliminate some of the weight



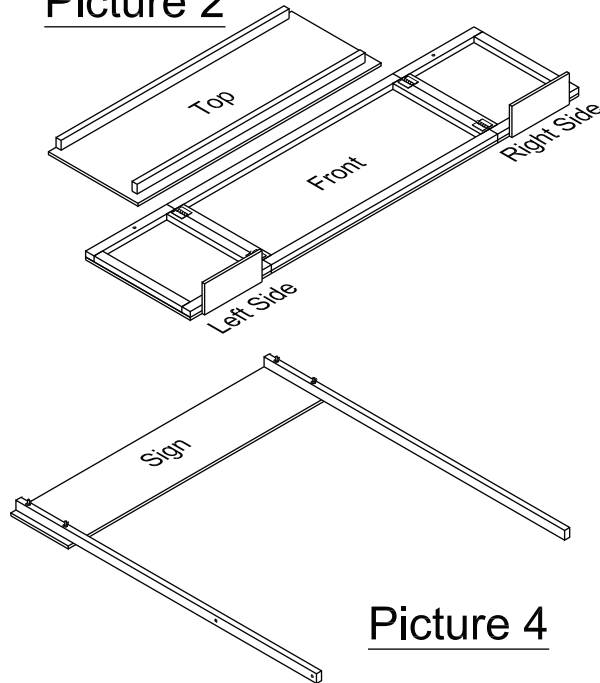
# Stand Construction Blueprint



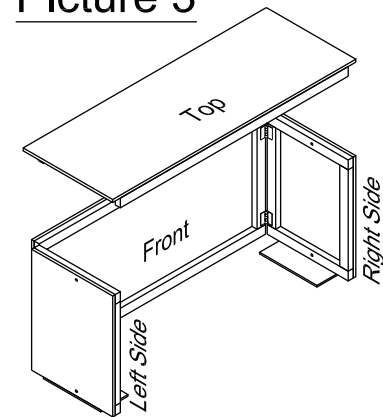
Picture 1



Picture 2



Picture 3



## Assembly Instructions

(1) Cut Plywood Sheets and Framing Lumber according to the Patterns and Lumber Lengths List on Page 1

(2) Lay and Nail or Screw Lumber to Plywood as shown in (Picture 1)

(3) Using the Drill with a  $\frac{9}{16}$ " Drill Bit, Drill 4 Holes, 2 in the Left Side & 2 in the Right Side equally spaced, through both the Plywood and Lumber. (notice future use in Picture 5)

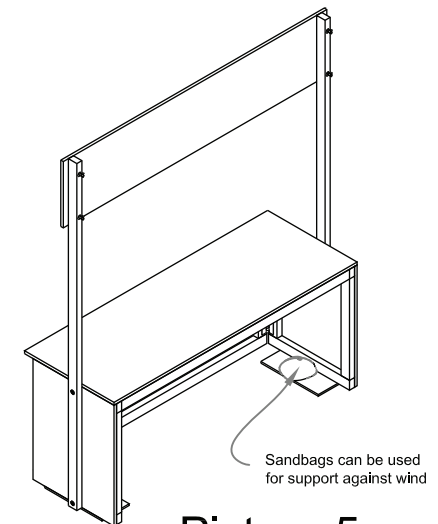
(4) Slide Left and Right Sides against the Front and connect them using Butt Hinges 3" from the top and bottom edges (See Picture 2)

(5) Utilizing the hinges, Fold the sides 90° and sit upright. The top may now sit loosely on top. (See Picture 3)

(6) Using the Drill with a  $\frac{9}{16}$ " Drill Bit, Drill appropriate holes into the (2) 89" Lumber to attach Sign with Carriage Bolts. Also Drill holes into the sides to attach to Stand (See Picture 4)

(7) Stand Sign upright and attach the Sign to the sides of the Stand using Carriage Bolts (See Picture 5)

Picture 4



Picture 5